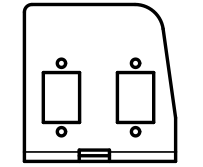
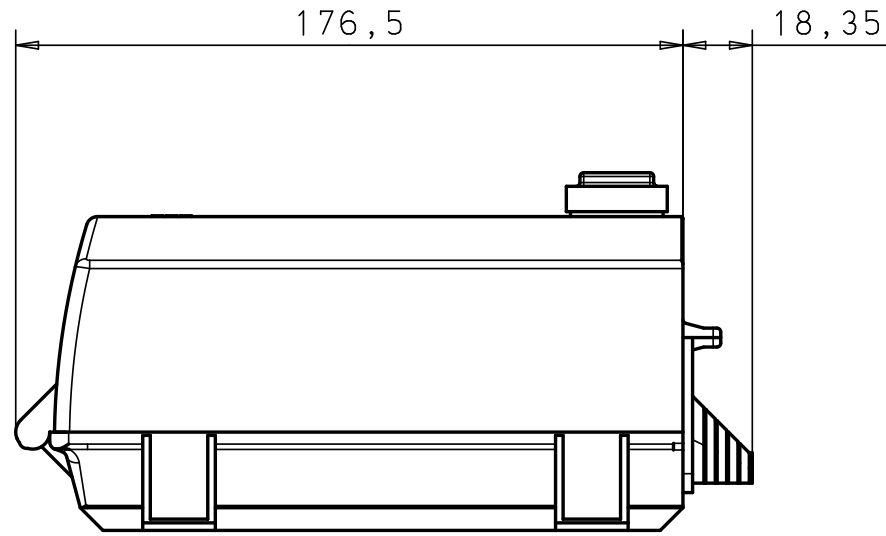
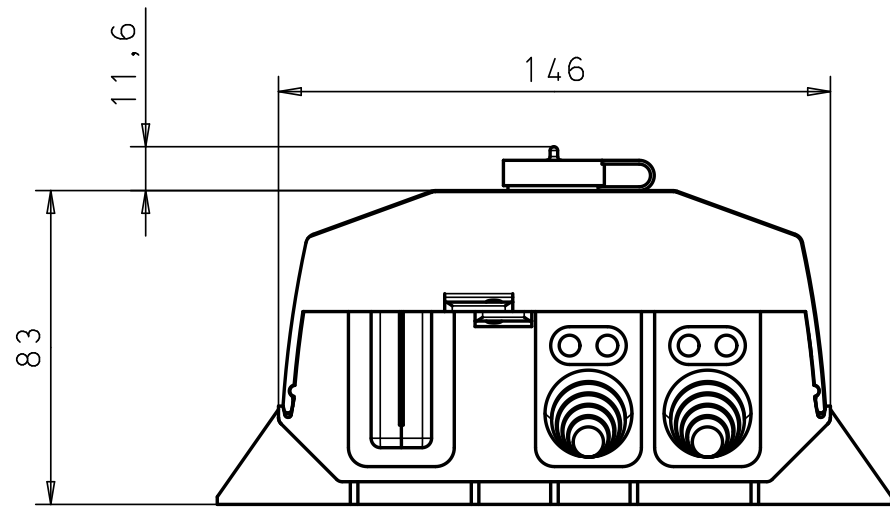
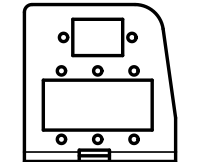


We reserve all rights to this document. The recipient acknowledges this and shall not without our written consent disclose them to any third party and be used for the indicated purpose only.

c

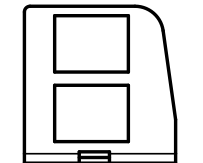
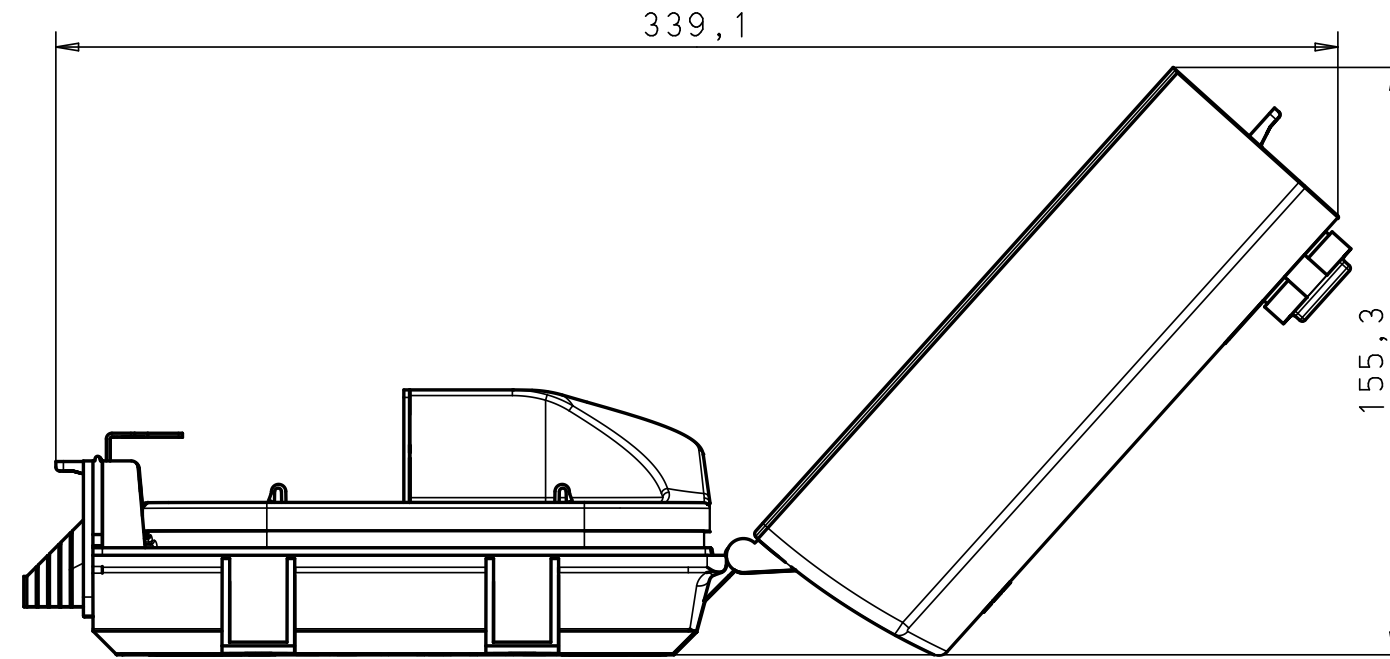
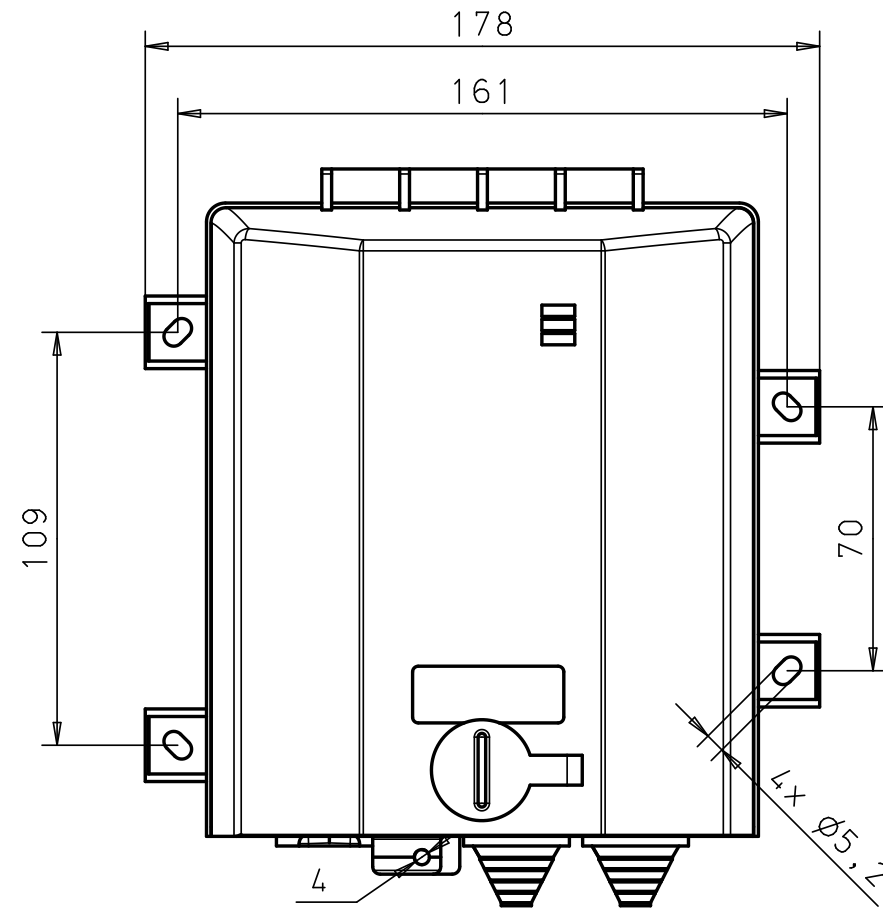


2x LC duz

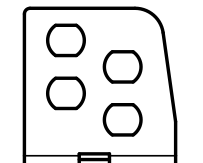


4x SC, LSH

b



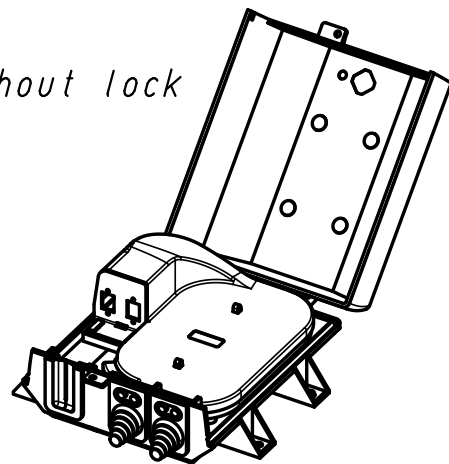
2x SC-, LSH-RJ



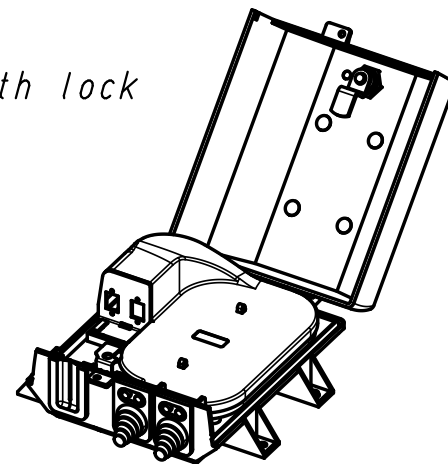
4x ST, FC

M 1:5

Without lock



With lock



a

Material		Tolerance to		
Treatm.		Last CH.		
Colour		Dok.No ZT 059.		
Note		Repl. for		
Description		Scale	Drwgn	
Venus FML		1:2	22.11.2006	
			Appr	22.11.2006
			Seen	22.11.2006
Type		LWL	Form	
Art No			A3	
Reichle & De-Mossari AG Binzstrasse 31 CH-8622 Wetzikon Switzerland Telephone +41 44 933 81 11 Telefax +41 44 930 49 41		Pg		
R&M		70618-7		
		Index		
		Version		
		a		