

LX.5 (SFOC 1.25)

Today, packing density is more important than ever. The LX.5-connector, based on the proven 1.25 mm ferrule technology, is the only standardized small form factor connector combining high packing density, reliability, high performance and safety due to its automatic metal shutter.



High packing density

Patch fields with high packing densities do not only require a compact design of single components, but also a stable optical performance. The LX.5 connector fills the gap between small size and safe handling. Two LX.5 connections use the same space as one SC connection.

High performance

Even though being small sized, LX.5 is a big leap in quality and performance. CATV and Telco network operators around the globe rely on the LX.5's proven performance. With a high precision Zirconia full ceramic ferrule, an insertion loss of 0.1 dB and an APC return loss of more than 85 dB LX.5 is especially suited for installation in global high performance networks.

High reliability

HUBER+SUHNER's extensive knowledge in manufacturing processes leads to the highest reliability. The connectors are produced by a process of proven quality, but HUBER+SUHNER advances quality and reliability a step further. LX.5 connectors are terminated only by certified LAS partners. These local assembly shops have been chosen because of their profound knowledge and ability to meet the highest quality standards.

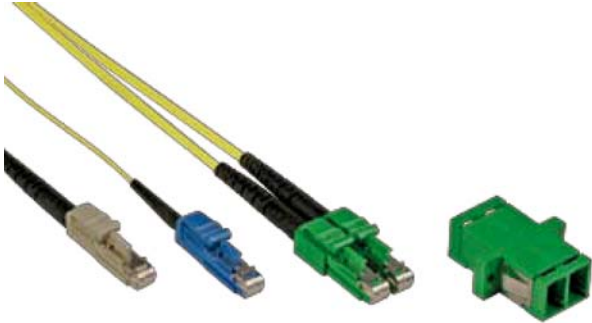
High safety

In addition to its high performance, LX.5 offers safety and time savings. With its automatic full metal shutters it conforms to the highest safety requirements in all current laser classes. Full metal shutters are essential in high power applications. All optical functional parts are protected against mechanical damage and dust. With our special tool to engage the safety lock you easily establish permanent connection and prevent accidental disconnecting.

High flexibility

HUBER+SUHNER offers a wide range of LX.5 products to match every application. The colour coding system can be changed both at the connector and the adapter. It prevents interconnection errors and saves time during installation and maintenance.

LX.5 (SFOC 1.25)

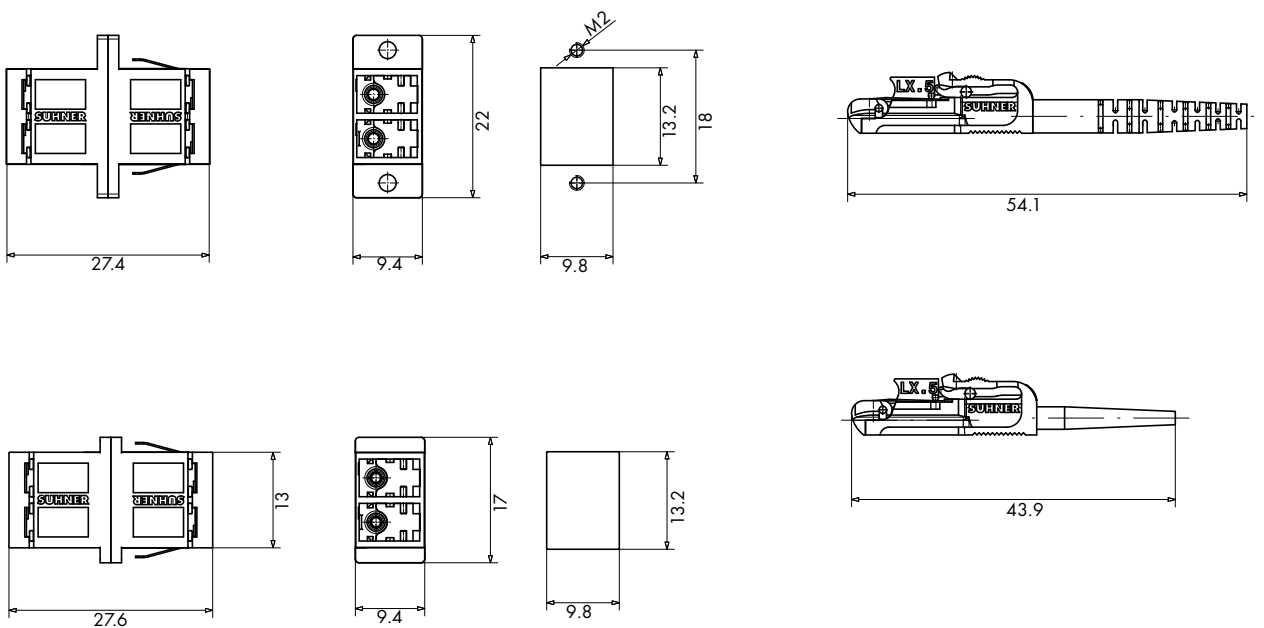


Features

- Small form factor connector for high packing density.
- Two connections in one SC shaped adapter
- Latched push-pull connector
- Automatic metal shutter in connector and adapter for dust protection and laser safety
- One-piece design for easy termination
- Short rigid length of pigtail-connector
- Colour coding of connector and adapter
- HighPower type with integrated locking mechanism
- High mechanical and thermal resistance according to Telcordia GR-326-CORE
- Easy duplexing of simplex connectors

Specifications

Compliance	IEC 61754-23, TIA 604-13		
Technology	full ceramic ferrule (1.25 mm) and sleeve		
Tuning	in 45° steps		
Mechanical resistance	100 N tensile load		
Operating temperature	-40 °C to +85 °C		
Flammability	UL 94 V-0		
Durability	min. 1000 mating cycles		
Colour of housing	singlemode	PC	blue
	singlemode	APC	green
	multimode		beige



LX.5 (SFOC 1.25)

Ordering information: LX.5 connector



Connector type	Polishing	Insertion loss ¹⁾ [dB] (mean/97%)	Cable Ø [mm]	Type
SM	APC	0.12/0.25	≤ 1.0	FLX5-Z/K-A601
SM	APC	0.12/0.25	≤ 2.8	FLX5-Z/K-A602
SM premium	APC	0.06/0.15	≤ 1.0	FLX5-Z/K-H601
SM premium	APC	0.06/0.15	≤ 2.8	FLX5-Z/K-H602



Connector type	Polishing	Insertion loss ¹⁾ [dB] (mean/97%)	Cable Ø [mm]	Type
SM	PC/UPC	0.12/0.25	≤ 1.0	FLX5-Z/K-A002
SM	PC/UPC	0.12/0.25	≤ 2.8	FLX5-Z/K-A003
SM premium	PC/UPC	0.06/0.15	≤ 1.0	FLX5-Z/K-H002
SM premium	PC/UPC	0.06/0.15	≤ 2.8	FLX5-Z/K-H003



Connector type	Polishing	Insertion loss ¹⁾ [dB] (mean/97%)	Cable Ø [mm]	Type
G50/125, G62.5/125	PC	0.20/0.50	≤ 1.0	FLX5-Z/K-B002
G50/125, G62.5/125	PC	0.20/0.50	≤ 2.8	FLX5-Z/K-B003

1) IEC 61300-3-34 method 2

LX.5 (SFOC 1.25)

Ordering information: LX.5 adapter



Adapter type	Mounting	Sleeve material	Colour	Type
SM duplex	flange with spring clip	zirconia ceramic	blue	FLX5-FLX5-A101-02
SM duplex HighPower	flange with spring clip	zirconia ceramic	blue	FLX5-FLX5-A102-02
SM APC duplex	flange with spring clip	zirconia ceramic	green	FLX5-FLX5-A601-02
SM APC duplex HighPower	flange with spring clip	zirconia ceramic	green	FLX5-FLX5-A602-02
MM duplex	flange with spring clip	phosphor-bronze	beige	FLX5-FLX5-A201-02

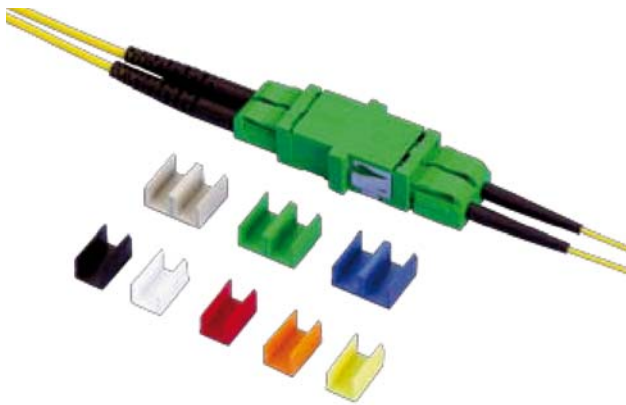


Adapter type	Mounting	Sleeve material	Colour	Type
SM duplex	with 2-hole flange	zirconia ceramic	blue	FLX5-FLX5-D101-02
SM duplex HighPower	with 2-hole flange	zirconia ceramic	blue	FLX5-FLX5-D102-02
SM APC duplex	with 2-hole flange	zirconia ceramic	green	FLX5-FLX5-D601-02
SM APC duplex HighPower	with 2-hole flange	zirconia ceramic	green	FLX5-FLX5-D602-02
MM duplex	with 2-hole flange	phosphor-bronze	beige	FLX5-FLX5-D201-02

LX.5 (SFOC 1.25)

Colour coding

The colour coding system allows fast and secure installation of the connector and the adapter. It ensures mating without risk of confusion. Simplex clips can be used to mark connectors and colour labels to mark adapters.



Ordering information: LX.5 accessories

Description	Colour	Type
Simplex clip	black	FLX5-CLP-BK1
Simplex clip	blue	FLX5-CLP-BL1
Simplex clip	brown	FLX5-CLP-BN1
Simplex clip	green	FLX5-CLP-GN1
Simplex clip	grey	FLX5-CLP-GR1
Simplex clip	orange	FLX5-CLP-OR1
Simplex clip	pink	FLX5-CLP-PK1
Simplex clip	purple	FLX5-CLP-PU1
Simplex clip	red	FLX5-CLP-RD1
Simplex clip	turquoise	FLX5-CLP-TU1
Simplex clip	white	FLX5-CLP-WT1
Simplex clip	yellow	FLX5-CLP-YE1
Duplex clip	blue	FLX5-DUP-BL2
Duplex clip	green	FLX5-DUP-GN2
Duplex clip	beige	FLX5-DUP-BG2



Colour label pad	Type
Including 24 stickers per colour	ACC-LAB-001



Tool	Type
To unlock LX.5 HighPower disconnection lock	9801.40.D