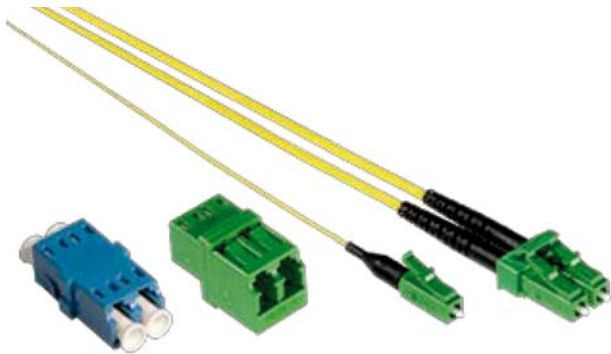


# LC

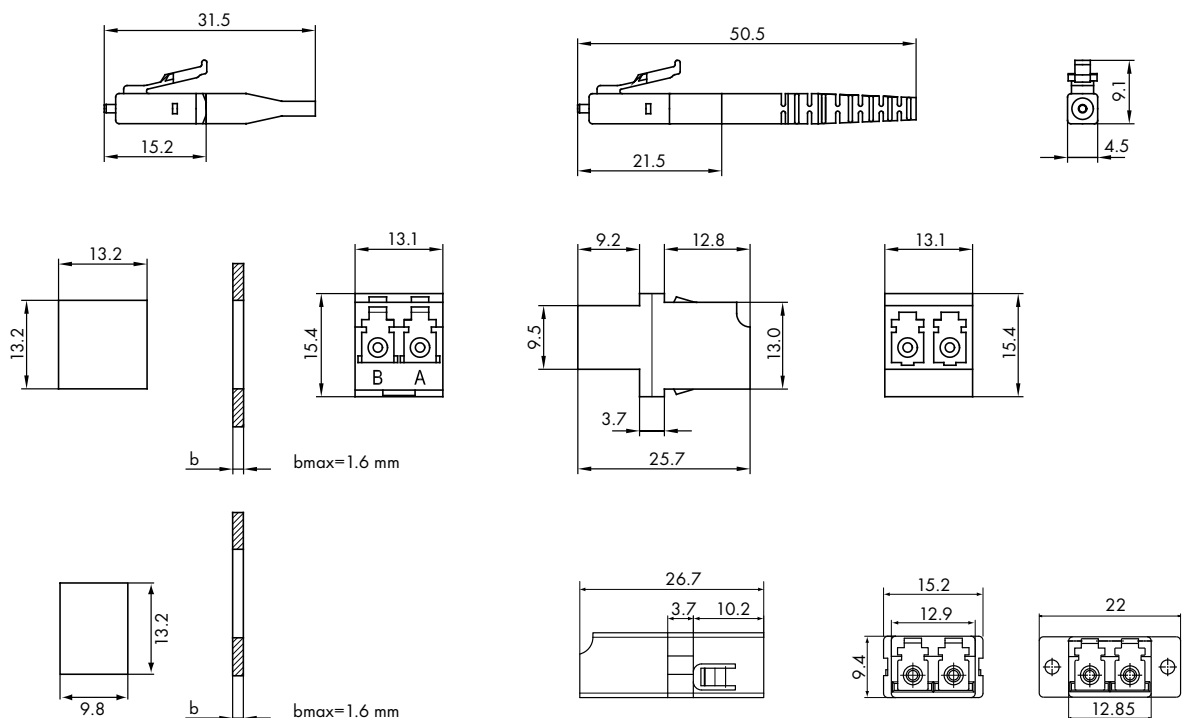


## Features

- Small form factor connector for high packing density. Two connections in one SC shaped adapter
- Latched push-pull connector
- One-piece design for easy termination
- Short rigid length of pigtail-connector
- Colour coding of connector
- Easy duplexing of simplex connectors

## Specifications

Compliance	IEC 61754-20, TIA 604-10-A		
Technology	full ceramic ferrule (1.25 mm) and sleeve		
Tuning	in 45° steps		
Mechanical resistance	100 N tensile load		
Operating temperature	-40 °C to +85 °C		
Flammability	UL 94 V-0		
Durability	min. 1000 mating cycles		
Colour of housing	singlemode	PC	blue
	singlemode	APC	green
	multimode		beige



# LC

## Ordering information: LC connector

Connector type	Polishing	Insertion loss <sup>1)</sup> [dB] (mean/97%)	Cable Ø [mm]	Type
SM	PC/UPC	0.12/0.25	≤ 1.0	FLC-Z/K-A005
SM	PC/UPC	0.12/0.25	≤ 2.8	FLC-Z/K-A006
SM	APC	0.12/0.25	≤ 1.0	FLC-Z/K-A600
SM	APC	0.12/0.25	≤ 2.8	FLC-Z/K-A601
SM premium	PC/UPC	0.06/0.15	≤ 1.0	FLC-Z/K-H001
SM premium	PC/UPC	0.06/0.15	≤ 2.8	FLC-Z/K-H002
SM premium	APC	0.06/0.15	≤ 1.0	FLC-Z/K-H600
SM premium	APC	0.06/0.15	≤ 2.8	FLC-Z/K-H601
G50/125, G62.5/125	PC	0.20/0.50	≤ 1.0	FLC-Z/K-B004
G50/125, G62.5/125	PC	0.20/0.50	≤ 2.8	FLC-Z/K-B005

1) IEC 61300-3-34 method 2

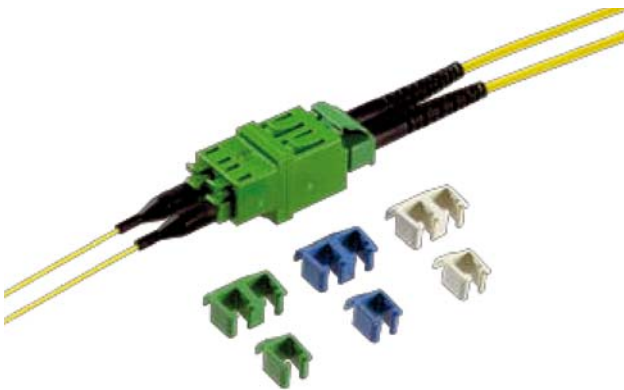
## Ordering information: LC adapter

Adapter type	Mounting	Sleeve material	Colour	Type
SM duplex	integrated fixing springs	zirconia ceramic	blue	FLC-FLC-A100-02
SM APC duplex	integrated fixing springs	zirconia ceramic	green	FLC-FLC-A600-02
MM duplex	integrated fixing springs	phosphor-bronze	beige	FLC-FLC-A200-02
SM SC footprint	integrated fixing springs	zirconia ceramic	blue	FLC-FLC-A101-02
SM APC SC footprint	integrated fixing springs	zirconia ceramic	green	FLC-FLC-A601-02
MM SC footprint	integrated fixing springs	phosphor-bronze	beige	FLC-FLC-A201-02
SM simplex	integrated fixing springs	zirconia ceramic	blue	FLC-FLC-A100
SM APC simplex	integrated fixing springs	zirconia ceramic	green	FLC-FLC-A600
MM simplex	integrated fixing springs	phosphor-bronze	beige	FLC-FLC-A200
SM SC footprint	with 2-hole flange	zirconia ceramic	blue	FLC-FLC-D100-02
SM APC SC footprint	with 2-hole flange	zirconia ceramic	green	FLC-FLC-D600-02
MM SC footprint	with 2-hole flange	phosphor-bronze	beige	FLC-FLC-D200-02

# LC

## Colour coding

The colour coding system helps to distinguish channels for secure handling. Simplex and duplex clips, which are used to mark connectors, can easily be mounted after connector termination.



## Ordering information: LC accessories

Description	Colour	Type
Simplex clip	black	FLC-CLP-BK1
Simplex clip	blue	FLC-CLP-BL1
Simplex clip	brown	FLC-CLP-BN1
Simplex clip	green	FLC-CLP-GN1
Simplex clip	grey	FLC-CLP-GR1
Simplex clip	orange	FLC-CLP-OR1
Simplex clip	pink	FLC-CLP-PK1
Simplex clip	purple	FLC-CLP-PU1
Simplex clip	red	FLC-CLP-RD1
Simplex clip	turquoise	FLC-CLP-TU1
Simplex clip	white	FLC-CLP-WT1
Simplex clip	yellow	FLC-CLP-YE1
Duplex clip	blue	FLC-DUP-BL1
Duplex clip	green	FLC-DUP-GN1
Duplex clip	beige	FLC-DUP-BG1