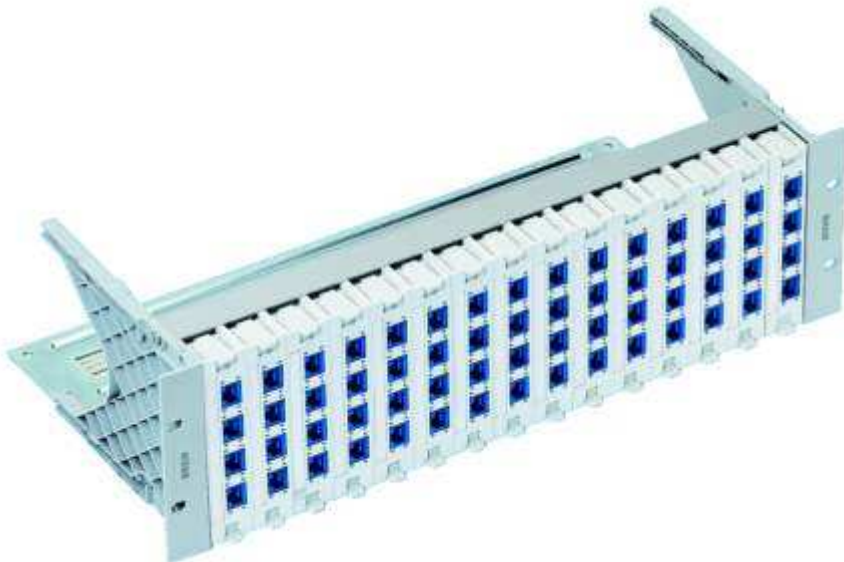


Technical Datasheet



R&M 19" 3U Global Patch Panel

19" 3U Global Patch Panel

R&M's Global System is highly recommended for larger applications. The 19" 3U Global patch panel accommodates up to fifteen 4 x 1 port connection module holders or blind elements. Patch panels with up to 60 RJ45 or SC-RJ ports can be configured. Coax jacks can also be installed using the adapter unit. The ingenious forced-locking and unlocking system ensures an absolutely secure hold of all of the elements in the 3U patch panel.

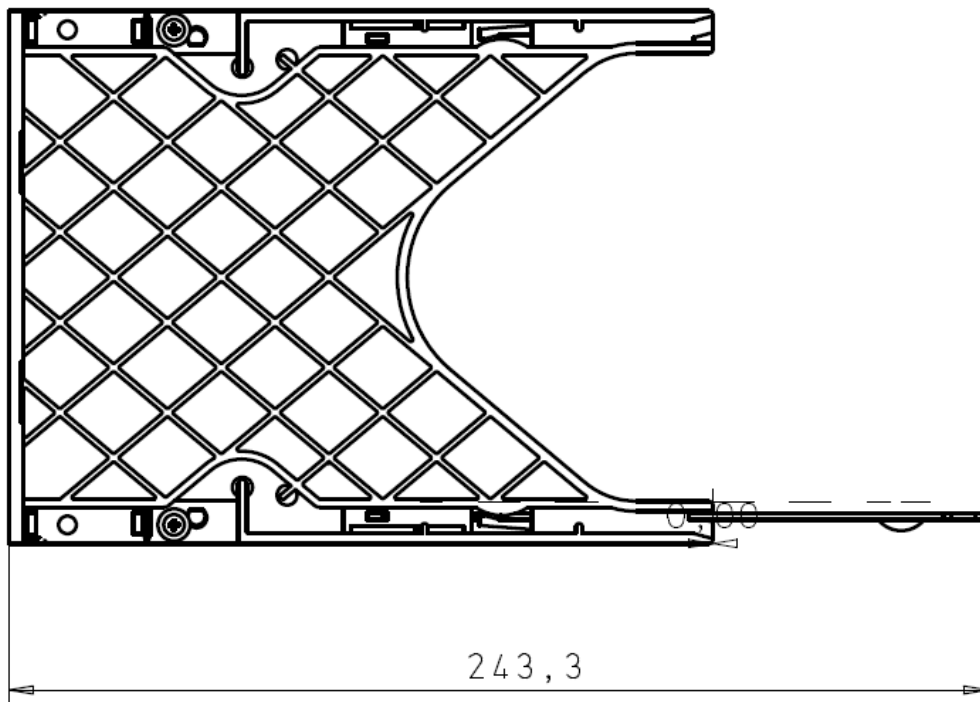
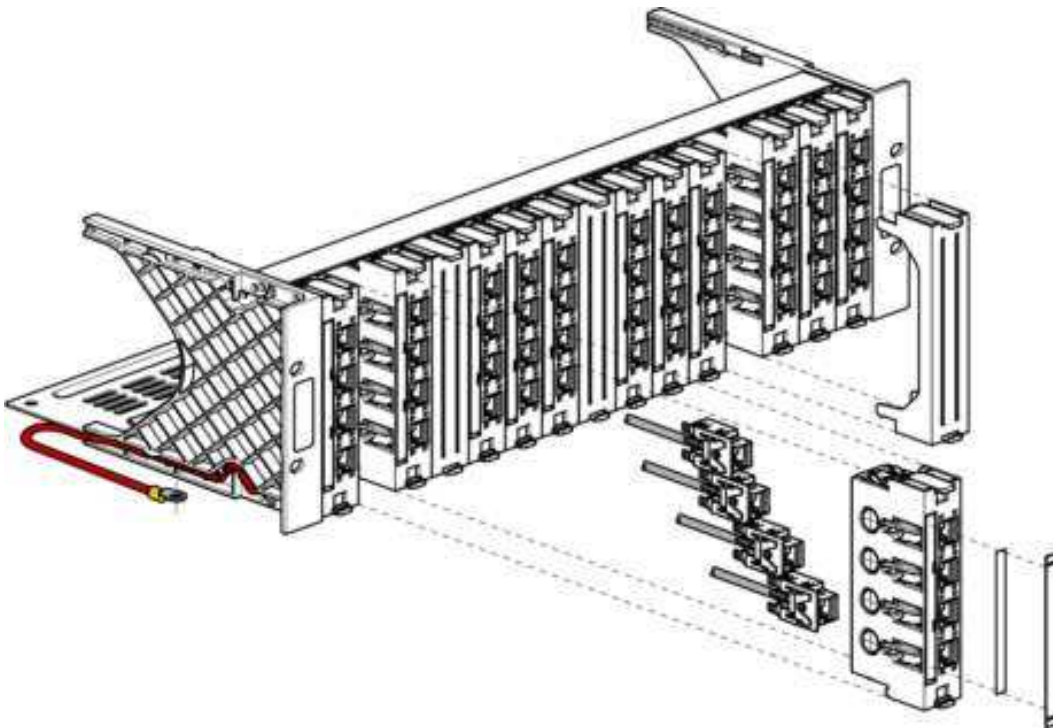
Features

Modular design of the patch panel with up to 60 shielded or unshielded RJ45 ports or 60 SC-RJ ports
Easy to install and service thanks to the Snap & Go fastening system
Complete earthing system integrated on the shielded patch panel
Ready for the keying system Data Safe Lock
Exchangeable labeling strips
Integrated cable tie shelf

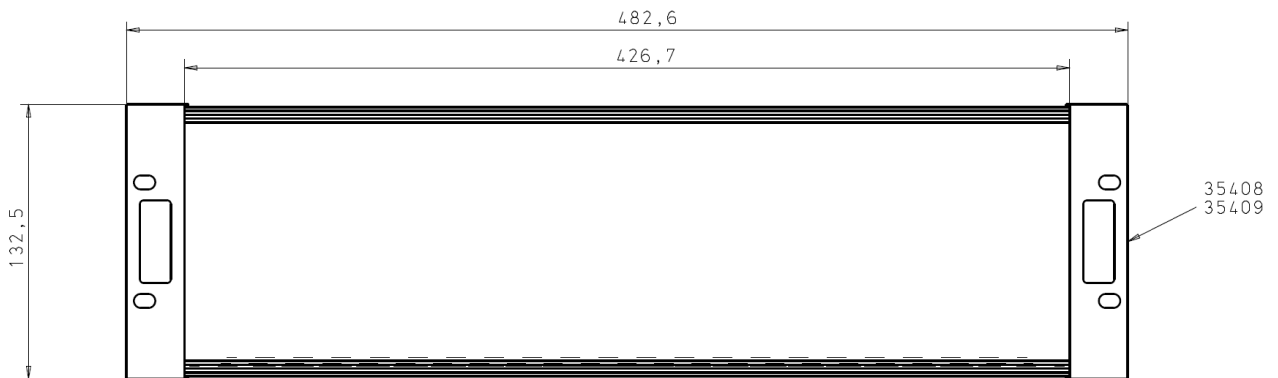
Technical Data

Overall dimensions: 19", 3U, 84HP
1 GU (Global Unit) is equal to the width of 1 Connection Modules Holder
Maximum 15 GU/panel
Patch panel profiles: aluminum, neutrally anodized
Patch panel sidewalls: polyamide, fiber-glass reinforced
Sidewall color: median gray/NCS 2502-B
Connection module holder: polycarbonate, fiber-glass reinforced
Connection module holder color: light gray/NCS 1005-R80B
Slider: polycarbonate
Slider color: median gray/NCS 2502-B
Halogenated: no (in accordance with DIN/VDE 0472/815)
Fire classification sidewall: UL94HB
Fire classification connection module holder: UL94V-0

Drawings



Technical Datasheet
19" 3U Global Patch Panel



Shielded version includes earthing cable

